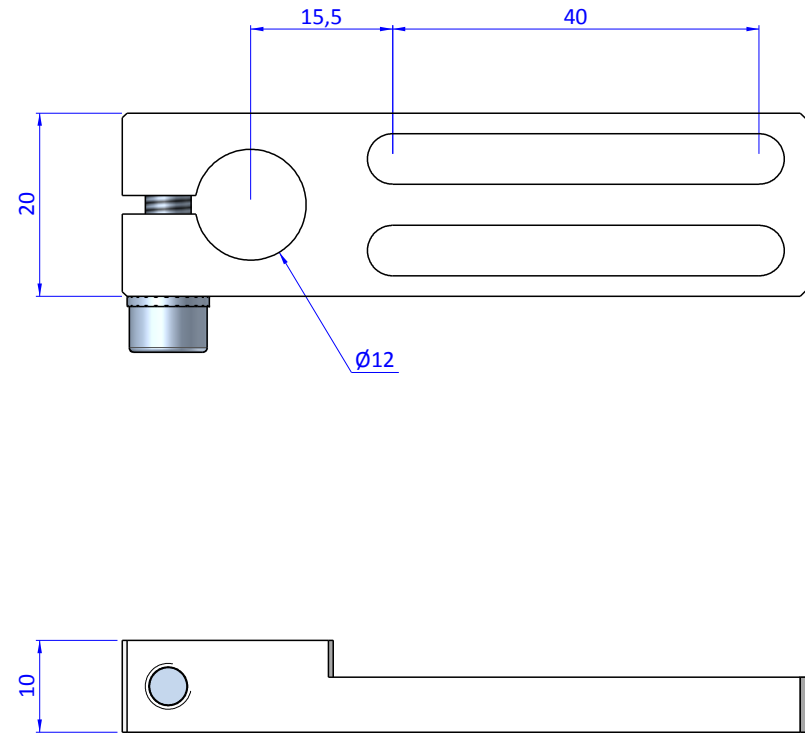
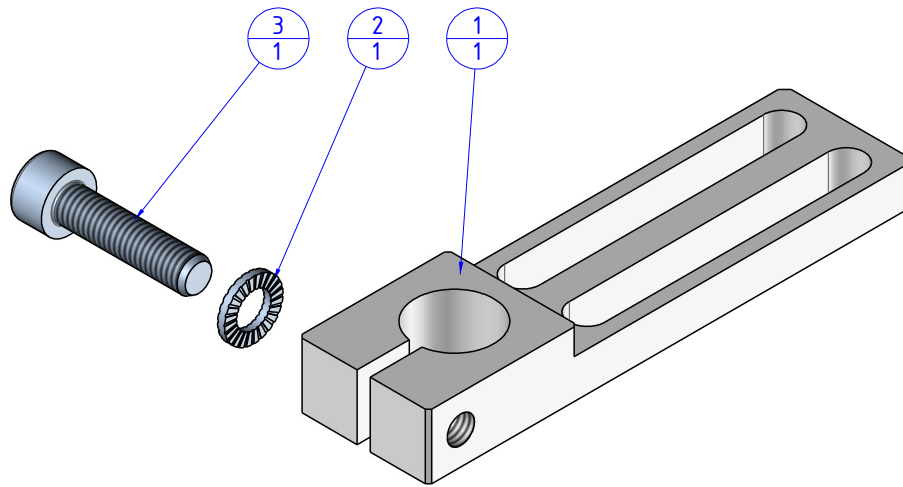


THE PROPERTY OF THE DRAWING IS ESTABLISHED BY LAW. IT IS FORBIDDEN TO PRODUCE OR SHOW IT TO THIRD PARTY WITHOUT A WRITTEN AGREEMENT.

Item	Name	Q.ty
1	04.02.12	1
2	R.5.SCH	1
3	V.TCE5x20	1



Format A3

UNI 936-76

FP SERVICES AUTOMATION		DESIGNED FROM FPSERVICES		REVIEW A
GENERAL TOLERANCE UNI - ISO 2768 CLASSE 1		DATE 30/04/2016	WEIGHT 0,022kg	
DESCRIPTION CA.04.02.12		CODE CA.04.02.12		